

**Overview**

- measuring mode: edges, center, width
- 400 ... 875 mm
- 640 ... 1400 mm
- pulsed infrared diode
- Teach-in
- connector M12 8 pin, rotatable
- 55 °C
- IP 67



Picture similar



**Technical data**

**General data**

|  |   |
|--|---|
| Type   | Measuring mode: edges, center, width                  |
| Version  | Without filter, therefore not for transparent objects |
| Measuring field size (dep. on measuring dist.) | 400 ... 875 mm  |
| Measuring distance (to object)                 | 640 ... 1400 mm                                       |
| Measuring frequency                            | 500 Hz  |
| Resolution                                     | 0.5 ... 1 mm  |
| Smallest object recognizable                   | 8.5 ... 18 mm   |
| Linearity error relative                       | < 0.3 %   |
| Light source                                   | Pulsed infrared diode                                 |
| Wave length                                    | 880 nm  |
| Adjustment                                     | Teach-in  |

**Electrical data**

|                                    |               |
|------------------------------------|---------------|
| Response time                      | < 2 ms        |
| Voltage supply range +Vs           | 15 ... 28 VDC |
| Current consumption max. (no load) | 150 mA        |

**Electrical data**

|                             |                   |
|-----------------------------|-------------------|
| Output signal               | 4 ... 20 mA       |
| Switching output            | NPN               |
| Output function             | Out 1 / Alarm     |
| Output current              | < 100 mA          |
| Interface                   | Analog and RS485  |
| Baud rate                   | 19200, adjustable |
| Reverse polarity protection | Yes, Vs to GND    |
| Short circuit protection    | Yes               |

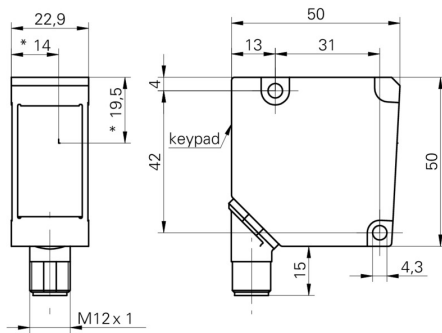
**Mechanical data**

|                  |                                |
|------------------|--------------------------------|
| Width / diameter | 23 mm                          |
| Type             | Rectangular                    |
| Housing material | Die-cast zinc                  |
| Front (optics)   | Glass                          |
| Connection types | Connector M12 8 pin, rotatable |

**Ambient conditions**

|                       |              |
|-----------------------|--------------|
| Operating temperature | 0 ... +55 °C |
| Protection class      | IP 67        |

**Dimension drawing**



- \* receiver axis

**Connection diagram**

