

**Overview**

- Most reliable object detection through barrier principle
- Acquisition of two independent limit values
- Detection of double sheets
- High performance in compact housing
- Metal connector



Picture similar



**Technical data**

**General data**

Emitter / receiver	Receiver
Scanning range Sd	0 ... 2000 mm
Version	IO-Link
Object size (at Sd = 50 mm)	> 4 cm <sup>2</sup>
Hysteresis typ.	5 % Sde
Temperature drift	< 2 % Sde
Response time ton	< 9 ms
Release time toff	< 9 ms
Adjustment	qTeach, line-Teach, IO-Link
Sonic frequency	220 kHz
Alignment aid	Light indicator flashing
Power on indication	LED green

**Electrical data**

Voltage supply range +Vs	12 ... 30 VDC
Current consumption typ.	16 mA
Output circuit	Push-pull
Output current	<100 mA
Voltage drop Vd	<3 VDC
Residual ripple	< 10 % Vs
Short circuit protection	Yes
Reverse polarity protection	Yes, Vs to GND

**Communication interface**

Interface	IO-Link V1.1
Baud rate	230,4 kBaud (COM 3)
Cycle time	≥ 1 ms
Process data length	48 Bit

**Communication interface**

Process data structure	Bit 0 = SSC1 Bit 1 = SSC2 Bit 3 = alarm Bit 16-31 = 16 Bit measurement
IO-Link port type	Class A
Additional data	Excess gain Operating cycles Operating hours Boot cycles Operating voltage Device temperature Histograms
Adjustable parameters	Time filters LED status indicators Output logic Output function Counter Deactivate the sensor element Find Me function

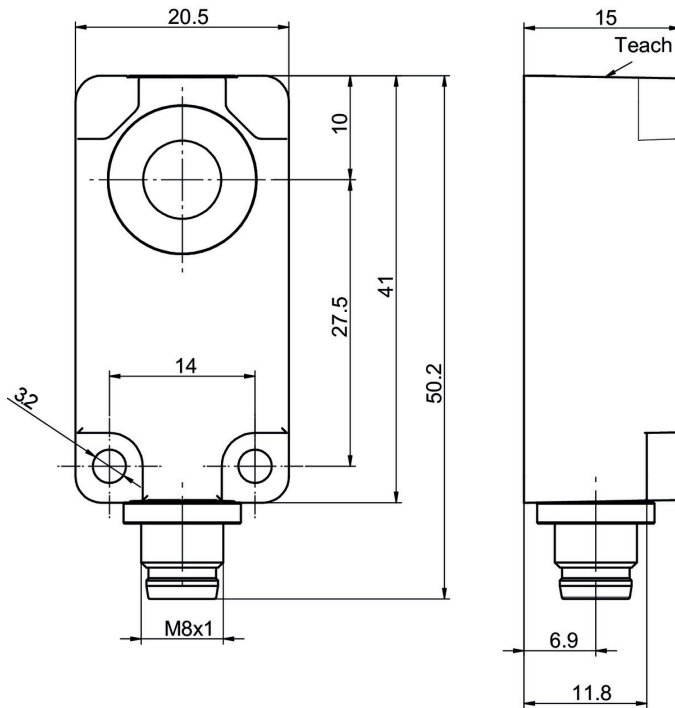
**Mechanical data**

Design	Rectangular
Housing material	Plastic (ASA, PMMA)
Width / diameter	20.5 mm
Height / length	41 mm
Depth	15 mm
Connection types	Connector M8 4 pin

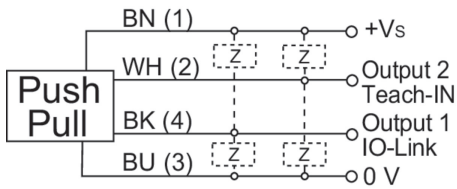
**Ambient conditions**

Operating temperature	-25 ... +65 °C
Storage temperature	-25 ... +75 °C
Protection class	IP 67

**Dimension drawing**



**Connection diagram**



**Pin assignment**

