

Overview

- Best measuring performance due to precise measuring principle
- Parallel output signal to the IO-Link channel through Dual Channel
- Flexible parameterization and additional diagnostic data thanks to IO-Link
- Shortest blind zone in its class
- High performance in compact housing



Picture similar



Technical data

General data		Communication interface	
Scanning range Sd	15 ... 500 mm	Interface	IO-Link V1.1
Scanning range close limit Sdc	15 ... 500 mm	Baud rate	38,4 kBaud (COM 2)
Scanning range far limit Sde	15 ... 500 mm	Cycle time	≥ 8 ms
Version	IO-Link dual channel	Process data length	48 Bit
Hysteresis typ.	4 % Sde	Process data structure	Bit 0 = SSC1 (distance) Bit 1 = SSC2 (distance) Bit 2 = quality Bit 3 = alarm Bit 5 = SSC4 (counter) Bit 8-15 = scale factor Bit 16-47 = 32 Bit measurement
Repeat accuracy	0.5 mm	IO-Link port type	Class A
Resolution	< 0.3 mm	Additional data	Distance Excess gain Operating cycles Operating hours Boot cycles Operating voltage Device temperature Histograms
Response time ton/toff standard	< 40 ms	Adjustable parameters	Switching point Switching hysteresis Measured value filtering Time filters LED status indicators Output logic Output circuit Counter Beam forming Analog output characteristic Deactivate the sensor element Find Me function
Response time ton/toff min	< 16 ms	IO-Link	Yes
Temperature drift	> 50 mm < 2 % of distance to target Sde		
Power-up drift	Compensated after 15 min.		
Sonic frequency	290 kHz		
Adjustment	qTeach, line-Teach, IO-Link		
Light indicator	LED yellow		
Power on indication	LED green		
Alignment measuring axis	< 2°		
Electrical data			
Voltage supply range +Vs	12 ... 30 VDC		
Current consumption typ.	35 mA		
Output circuit	Voltage output		
Output signal	0 ... 10 V / 10 ... 0 V		
Output current	100 mA		
Voltage drop Vd	<3 VDC		
Residual ripple	< 10 % Vs		
Short circuit protection	Yes		
Reverse polarity protection	Yes, Vs to GND		

The product features and technical data specified do not express or imply any warranty. Technical modifications subject to change.

Technical data

Mechanical data

Design	Rectangular
Housing material	Plastic (ASA, PMMA)
Width / diameter	12.9 mm
Height / length	32.2 mm
Depth	23 mm

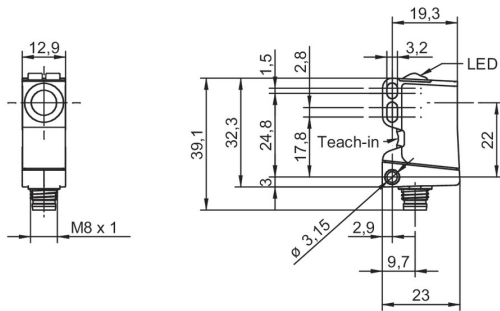
Mechanical data

Connection types	Connector M8 4 pin
------------------	--------------------

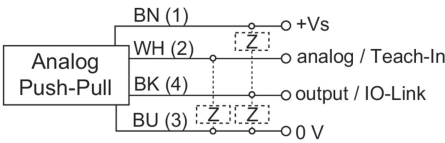
Ambient conditions

Operating temperature	-25 ... +65 °C
Storage temperature	-40 ... +75 °C
Protection class	IP 67

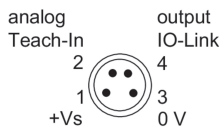
Dimension drawing



Connection diagram



Pin assignment



Typical sonic cone profile

