

**Overview**

- 0 ... 3 mm
- voltage output
- Teach-in
- connector M8
- -25 ... 75 °C
- IP 67



Picture similar



**Technical data**

**General data**

Mounting type	Quasi-flush
Special type	Linearized
Measuring distance Sd	0 ... 3 mm
Sensitivity	3,33 V/mm
Resolution	< 0.003 mm (stat.) < 0.009 mm (dynam., S = 0 ... 2 mm) < 0.018 mm (dynam., S = 0 ... 3 mm)
Repeat accuracy	0.01 mm
Adjustment	Teach-in
Linearity error	± 10 µm (S = 0 ... 2 mm) ± 90 µm (S = 0 ... 3 mm)
Temperature drift	± 2 % (Full Scale: S = 0 ... 2 mm) ± 6 % (Full Scale: S = 0 ... 3 mm)
Teach-Feedback	LED yellow

**Electrical data**

Response time (factory characteristic)	< 2 ms
Voltage supply range +Vs	12 ... 30 VDC

**Electrical data**

Current consumption max. (no load)	12 mA
Output circuit	Voltage output
Output signal	0 ... 10 VDC
Load resistance	> 4000 Ohm
Short circuit protection	Yes
Reverse polarity protection	Yes

**Mechanical data**

Design	Cylindrical threaded
Material (sensing face)	PBT
Housing material	Stainless steel
Dimension	8 mm
Housing length	46 mm
Connection types	Connector M8
Tightening torque max.	10 Nm (A: 7 Nm)

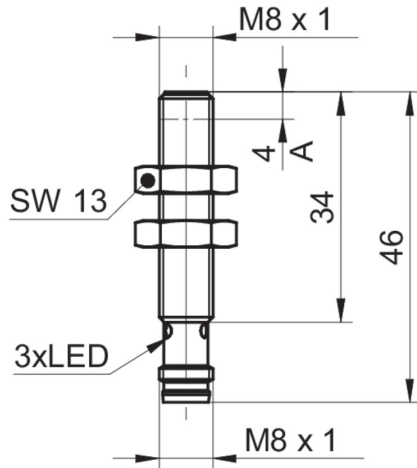
**Ambient conditions**

Operating temperature	-25 ... +75 °C
Protection class	IP 67

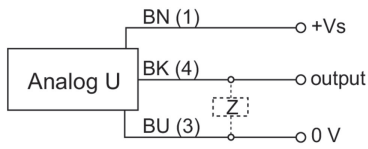
**Remarks**

- Linear analog output
- Magnetic Teach

**Dimension drawing**



**Connection diagram**



**Pin assignment**

