

**Overview**

- 0 ... 3 mm
- voltage output
- Teach-in
- connector M8
- -25 ... 75 °C
- IP 67



Picture similar



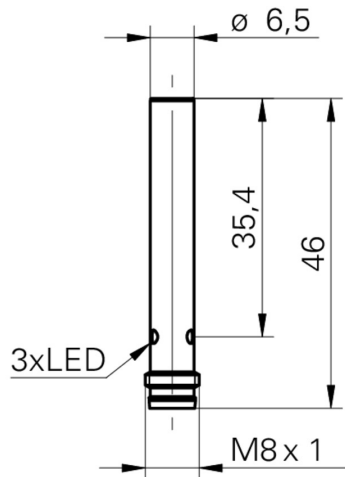
**Technical data**

| General data                           |  | Electrical data                    |                    |
|--|--|------------------------------------|--------------------|
| Mounting type                          | Quasi-flush  | Current consumption max. (no load) | 12 mA              |
| Special type                           | Linearized   | Output circuit                     | Voltage output     |
| Measuring distance Sd                  | 0 ... 3 mm   | Output signal                      | 0 ... 10 VDC       |
| Sensitivity                            | 3,33 V/mm  | Load resistance                    | > 4000 Ohm         |
| Resolution                             | < 0.003 mm (stat.)<br>< 0.009 mm (dynam., S = 0 ... 2 mm)<br>< 0.018 mm (dynam., S = 0 ... 3 mm) | Short circuit protection           | Yes                |
| Repeat accuracy                        | 0.01 mm  | Reverse polarity protection        | Yes                |
| Adjustment                             | Teach-in   | Mechanical data                    |                    |
| Linearity error                        | ± 10 µm (S = 0 ... 2 mm)<br>± 90 µm (S = 0 ... 3 mm)   | Design                             | Cylindrical smooth |
| Temperature drift                      | ± 2 % (Full Scale: S = 0 ... 2 mm)<br>± 6 % (Full Scale: S = 0 ... 3 mm)                         | Material (sensing face)            | PBT                |
| Teach-Feedback                         | LED yellow   | Housing material                   | Stainless steel    |
| Electrical data                        |  | Dimension                          | 6.5 mm             |
| Response time (factory characteristic) | < 2 ms   | Housing length                     | 46 mm              |
| Voltage supply range +Vs               | 12 ... 30 VDC  | Connection types                   | Connector M8       |
|  |  | Ambient conditions                 |                    |
|  |  | Operating temperature              | -25 ... +75 °C     |
|  |  | Protection class                   | IP 67              |

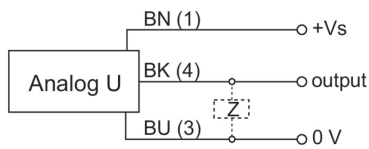
**Remarks**

- Linear analog output
- Magnetic Teach

**Dimension drawing**



**Connection diagram**



**Pin assignment**

