

IFBR 17P37T1/S14L-9

Inductive proximity switch - hygiene

Article number: 11014601

Overview

- 8 mm
- PNP break function (NC)
- connector M12
- -40 ... 80 °C
- IP 68/69K & proTect+



Picture similar



Technical data

General data

Mounting type	Quasi-flush
Special type	Hygienic design
Nominal sensing distance S _n	8 mm
Hysteresis	2 ... 15 % of S _r
Output indicator	LED red
Approvals/certificates	Ecolab Adapted from EHEDG REGULATION (EC) 1935/2004 REGULATION (EC) 2023/2006 REGULATION (EU) 1282/2011 FDA 21 CFR § 175.300 FDA 21 CFR § 177.2600 FCN 742

Electrical data

Switching frequency	< 500 Hz
Voltage supply range +V _s	6 ... 30 VDC
Current consumption max. (no load)	10 mA

Remarks

- Sensor compliant with various food regulations (see approvals)
- LSR = Liquid Silicon Rubber

Electrical data

Output circuit	PNP break function (NC)
Voltage drop V _d	< 2 VDC
Output current	< 200 mA
Output current (at cleaning temperature)	< 100 mA
Short circuit protection	Yes
Reverse polarity protection	Yes

Mechanical data

Type	Cylindrical smooth
Material (sensing face)	LCP
Housing material	Stainless steel 1.4404 (V4A); LSR
Dimension	17 mm
Housing length	60 mm
Connection types	Connector M12

Ambient conditions

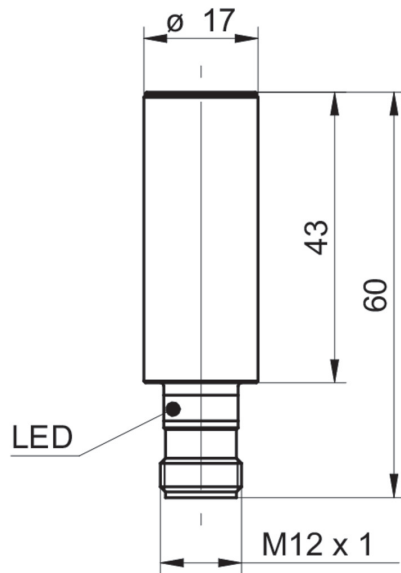
Operating temperature	-40 ... +80 °C
Cleaning temperature	80 ... +100 °C (30 min/day)
Protection class	IP 68/69K & proTect+

IFBR 17P37T1/S14L-9

Inductive proximity switch - hygiene

Article number: 11014601

Dimension drawing



Connection diagram

