

Overview

- Ultra-flat design for installation in confined spaces
- Large switching distance 12 mm
- Robust plastic housing with metal sleeves
- Additional mounting material for easy installation on tubes



Picture similar



Technical data

General data

Mounting type	Non-flush
Nominal sensing distance Sn	12 mm
Assured sensing distance Sa	≤ 81 % of Sn
Real sensing distance Sr	± 10 % of Sn
Temperature drift	± 10 % of Sr
Hysteresis	3 ... 20 % of Sr
Output indicator	LED red
Correction factor typ.	Mild steel 100 %, stainless steel 70 %, aluminum 50 %

Electrical data

Switching frequency	1000 Hz
Voltage supply range +Vs	6 ... 36 VDC
Current consumption max. (no load)	12 mA
Output circuit	PNP make function (NO)
Voltage drop Vd	<2 VDC
Output current	200 mA

Electrical data

Short circuit protection	Yes
Reverse polarity protection	Yes

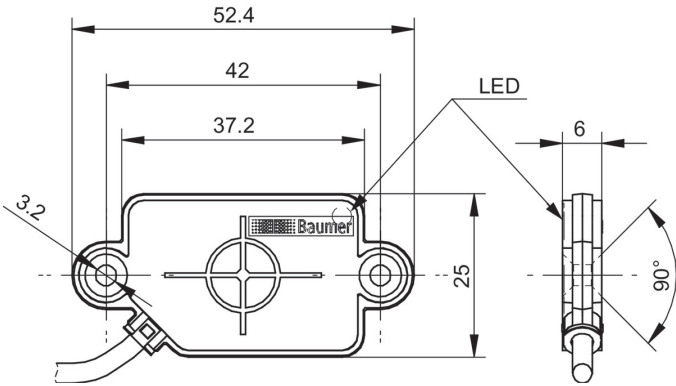
Mechanical data

Design	Rectangular
Material (sensing face)	PA
Housing material	PA 12
Dimension	25 mm
Housing length	52.4 mm
Connection types	Cable, L=2 m
Cable characteristics	PVC 3 x 0.14 mm ²
Weight	36 g

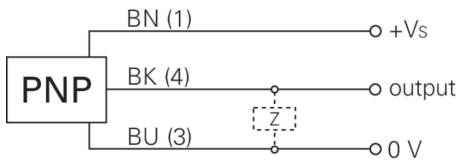
Ambient conditions

Operating temperature	-25 ... +75 °C
Storage temperature	-40 ... +75 °C
Protection class	IP 67
Vibration resistance	IEC 60068-2-6:2008 10 g at f = 10 - 2000 Hz, duration 150 min per axis
Shock resistance	IEC 60068-2-27:2009 100 g / 6 ms, 10 jolts per axis and direction

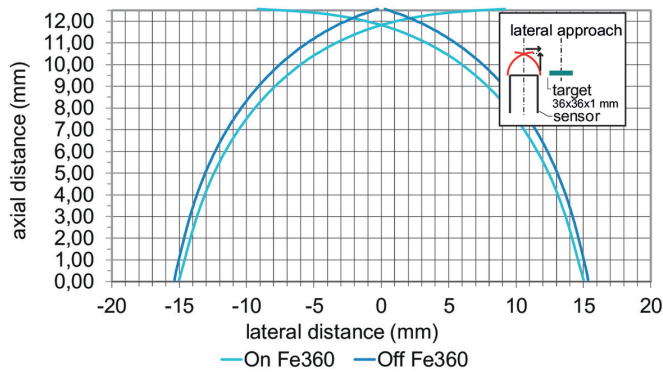
Dimension drawing



Connection diagram



Response diagram



Correction factors for different mounting situation (approx.)



Mounting material:	Correction factor
Non-metal:	100 %
Construction steel:	110 %
Stainless steel:	95 %
Aluminium:	90 %

Mounting instructions

